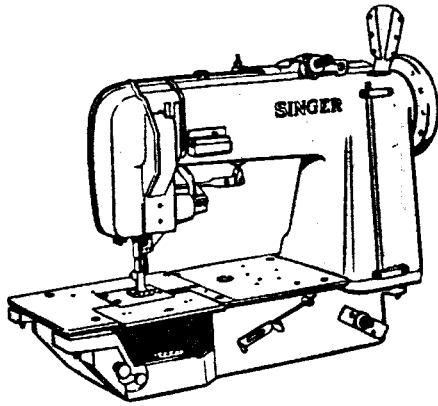


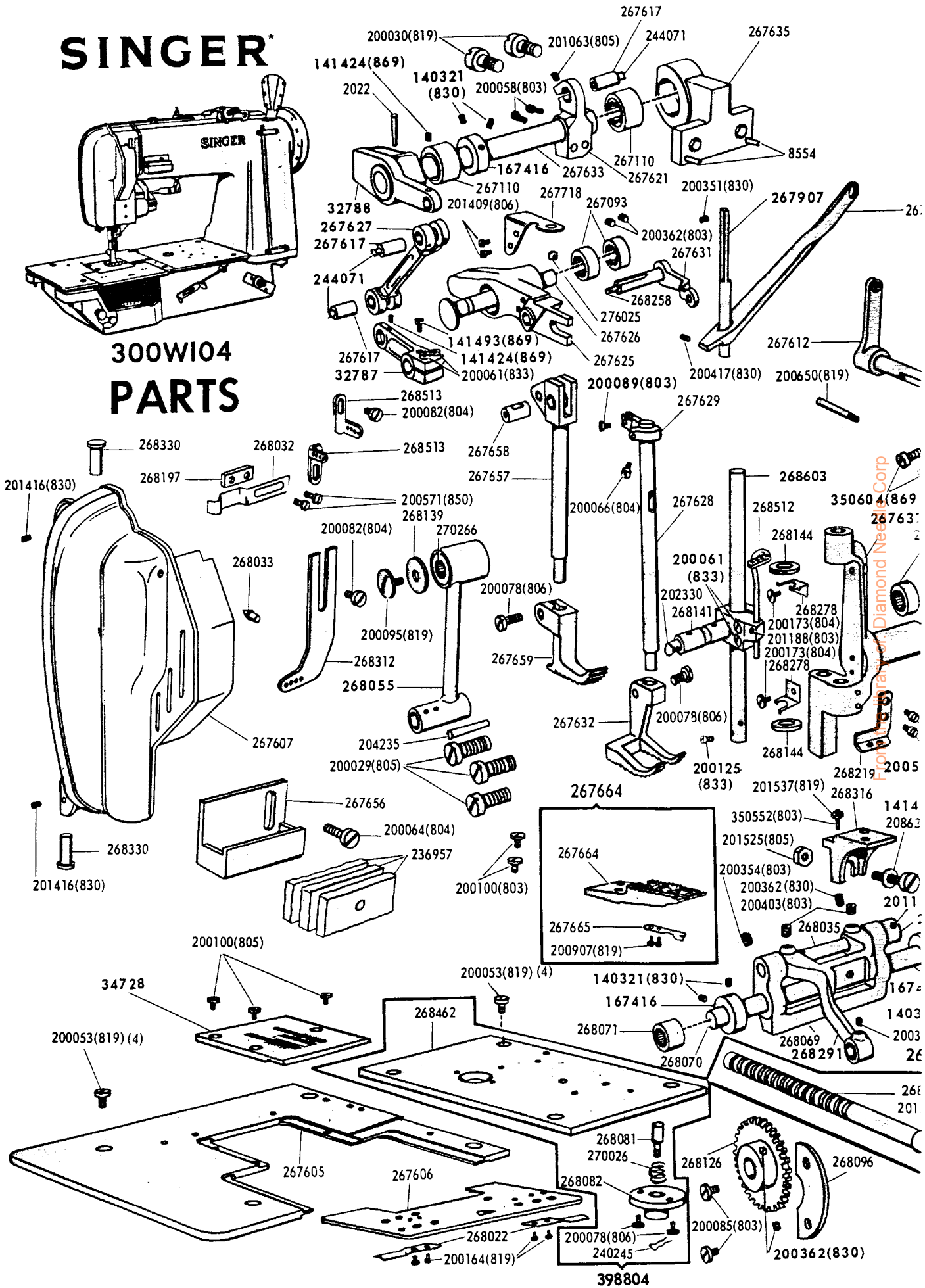
SINGER

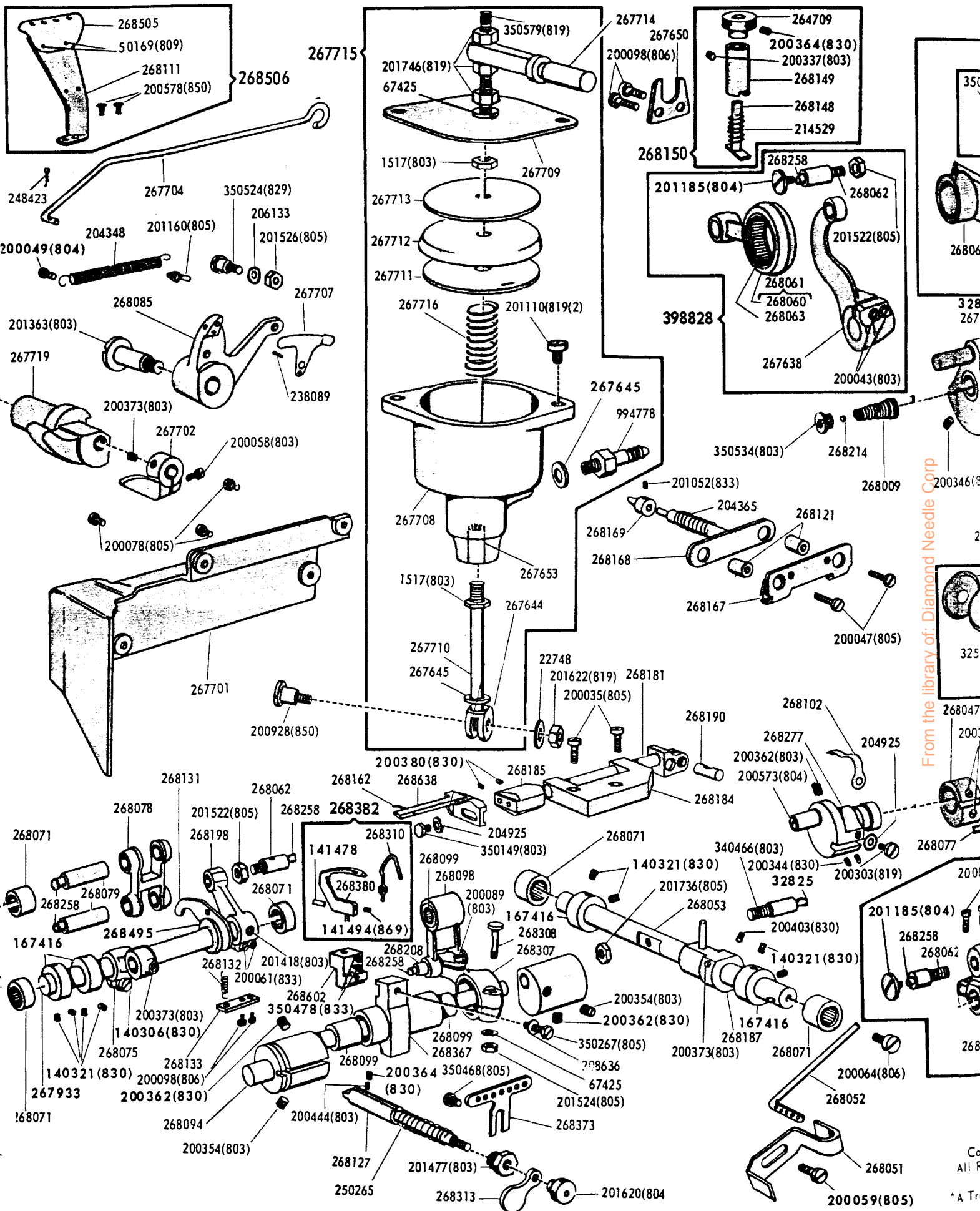
300W204

SINGER*



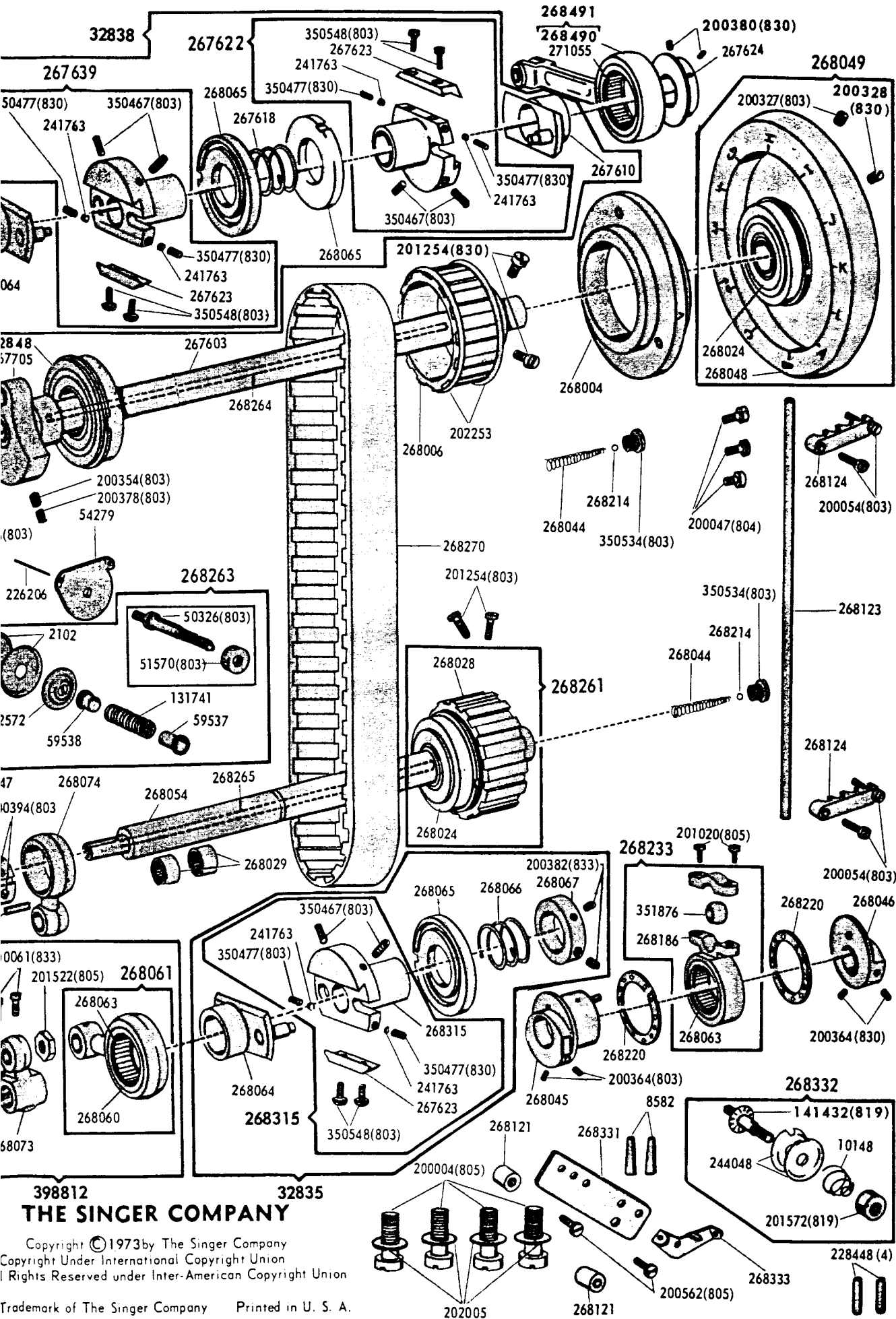
300WI04 PARTS





From the library of: Diamond Needle Corp

Co
All R
*A Tr



398812 THE SINGER COMPANY 32835

Copyright ©1973 by The Singer Company
 Copyright Under International Copyright Union
 All Rights Reserved under Inter-American Copyright Union
 Trademark of The Singer Company Printed in U. S. A.

SUPPLEMENTARY PARTS LIST FOR MACHINE 300W204
 (Same as Complete List for MACHINE 300W104 with the following EXCEPTIONS)

CHANGE 300W104 LIST AS INDICATED

PARTS TO BE ADDED

300W104 NUMBER	NEW NUMBER	DESCRIPTION	PART NUMBER	DESCRIPTION
267606	268017	Bed Slide with two 268022 and four 200138(804)	268151(016)	Needle Holder with two 50014(830)
200164(819)	200138(804)	Bed Slide Spring Screw (4)		
267644	267802(816)	Feed Dog, 46 needle hole, with two 267665 and four 200172(804) for 267851		
267632	267676(016)	Lifting Presser Foot with 200078(806)		
267665	268318	Loop Deflector		
200907(819)	200172(805)	Loop Deflector Screw (4)		
268602	268103(016)	Looper Holder with four 350478(833)		
268603	268136	Needle Bar		
398872	398867	Needle Bar Rock Frame 267637 with 267657, 268136, and two each 200173(804), 268144 and 268278		
200125(833)	50014(830)	Needle Set Screw (2)		
167447	167448	Machine Base Oil Drain Jar		
268638	268374(016)	Spreader with two 268162		
228745	228746	Thread Unwinder, complete		
34728	267851(016)	Throat Plate		
267659	267679(016)	Vibrating Presser Foot with 200078(806)		